

Form 19573
(141)
Printed in U. S. A.

HISTORICAL COPY
DO NOT REMOVE

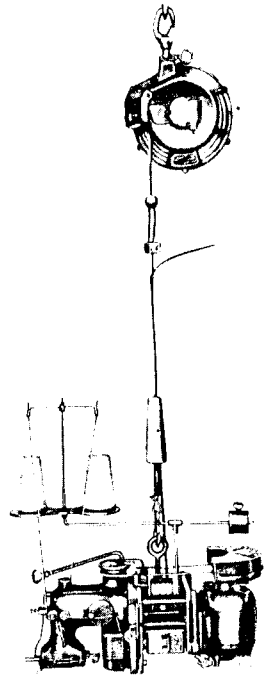
SINGER

146-32



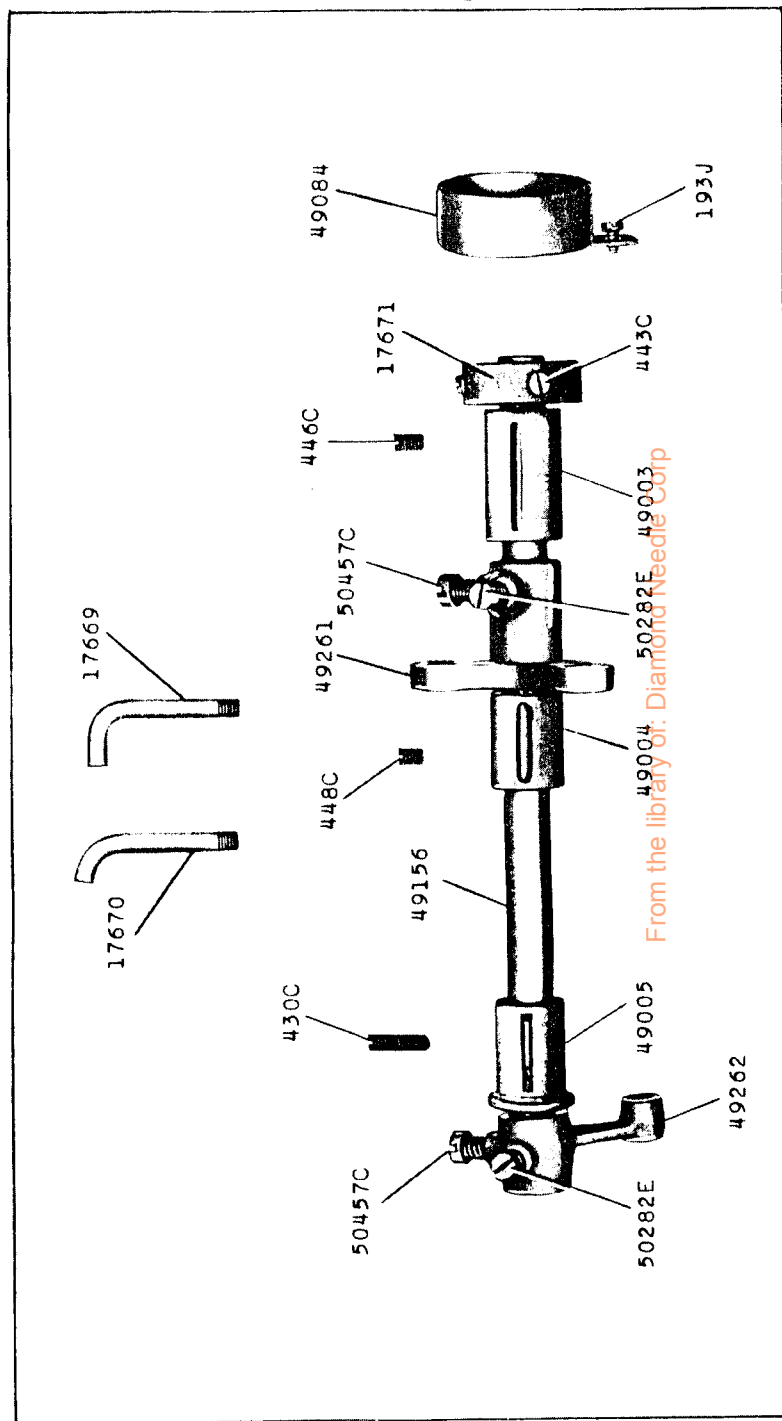
THE SINGER MANUFACTURING COMPANY

From the library of: Diamond Needle Corp

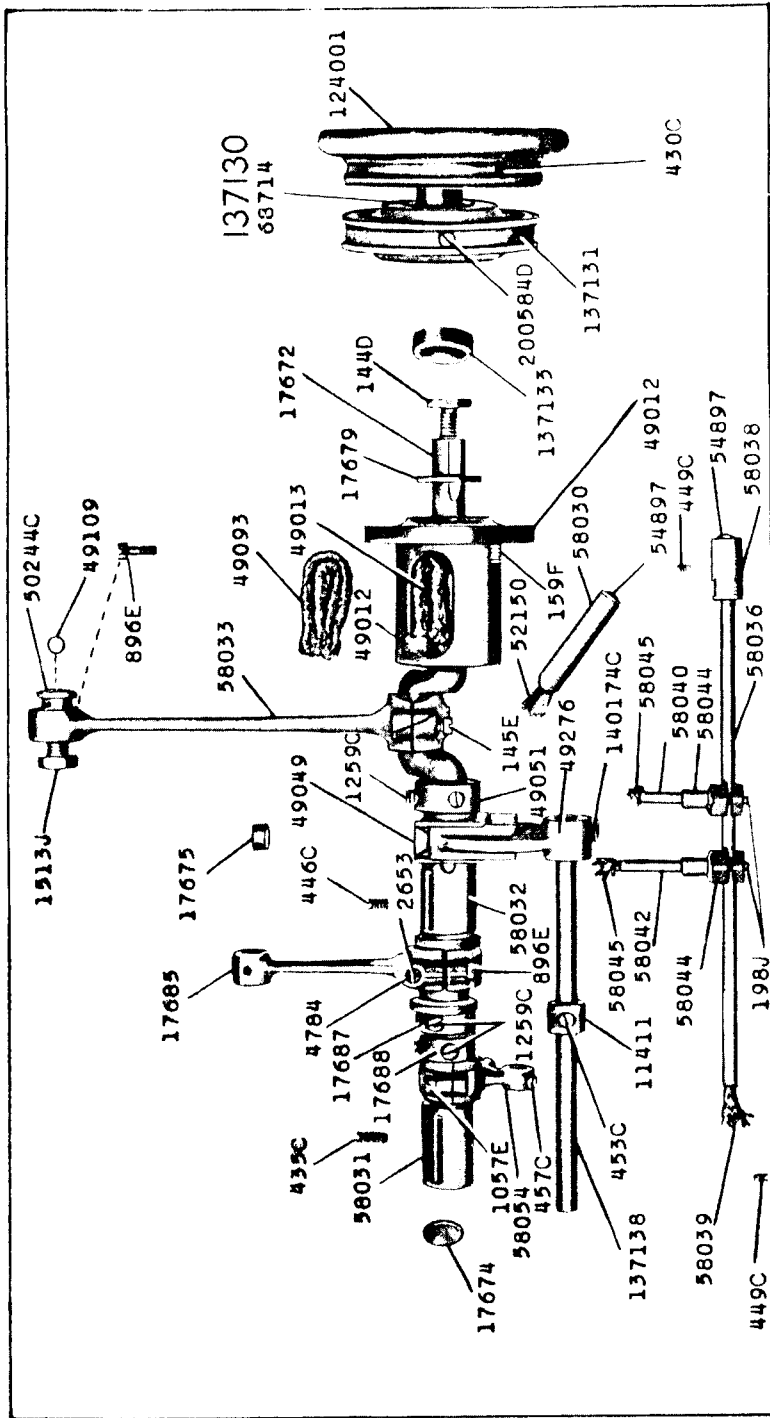


Copyright, U. S. A., 1939 and 1941
 by The Singer Manufacturing Co.
 All Rights Reserved for all Countries

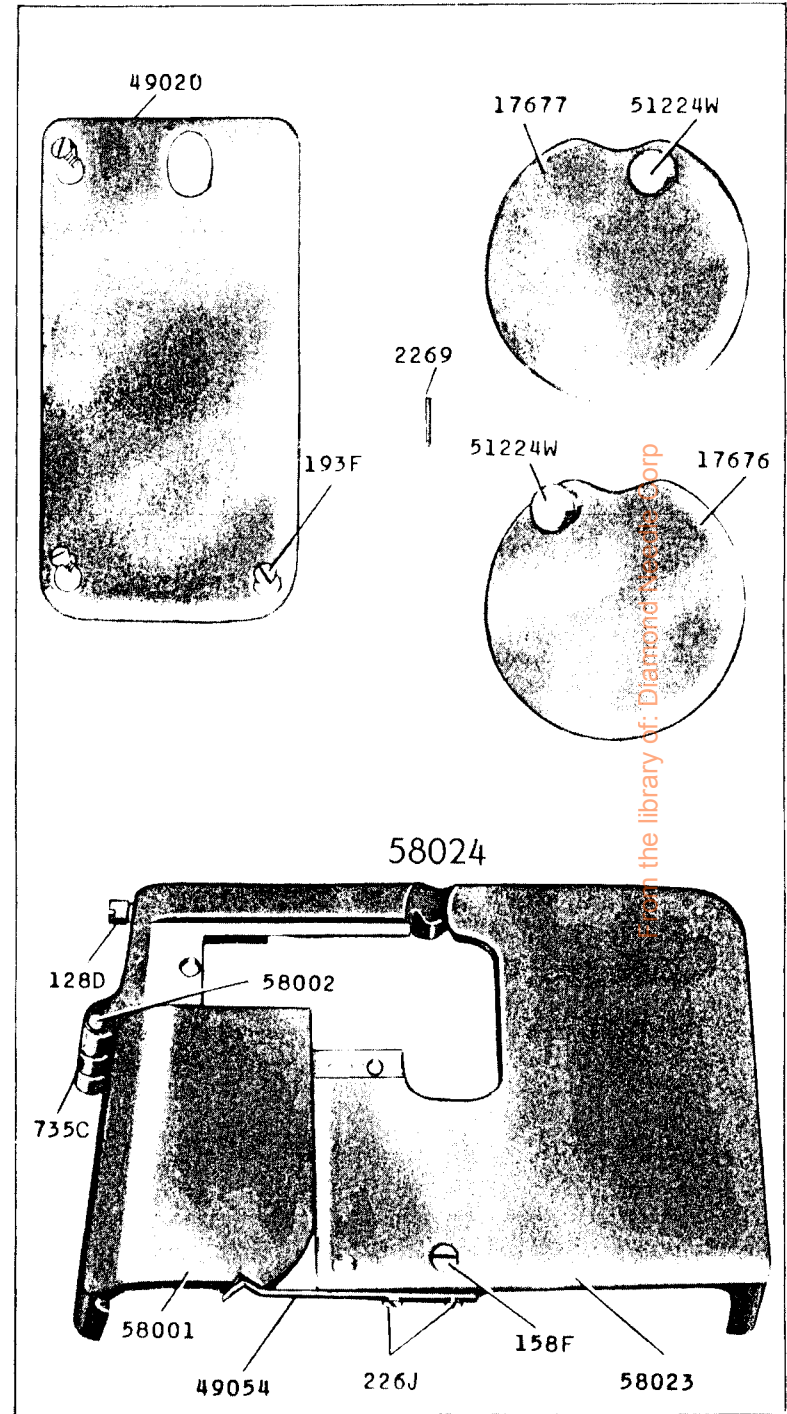
21519 - 1/2



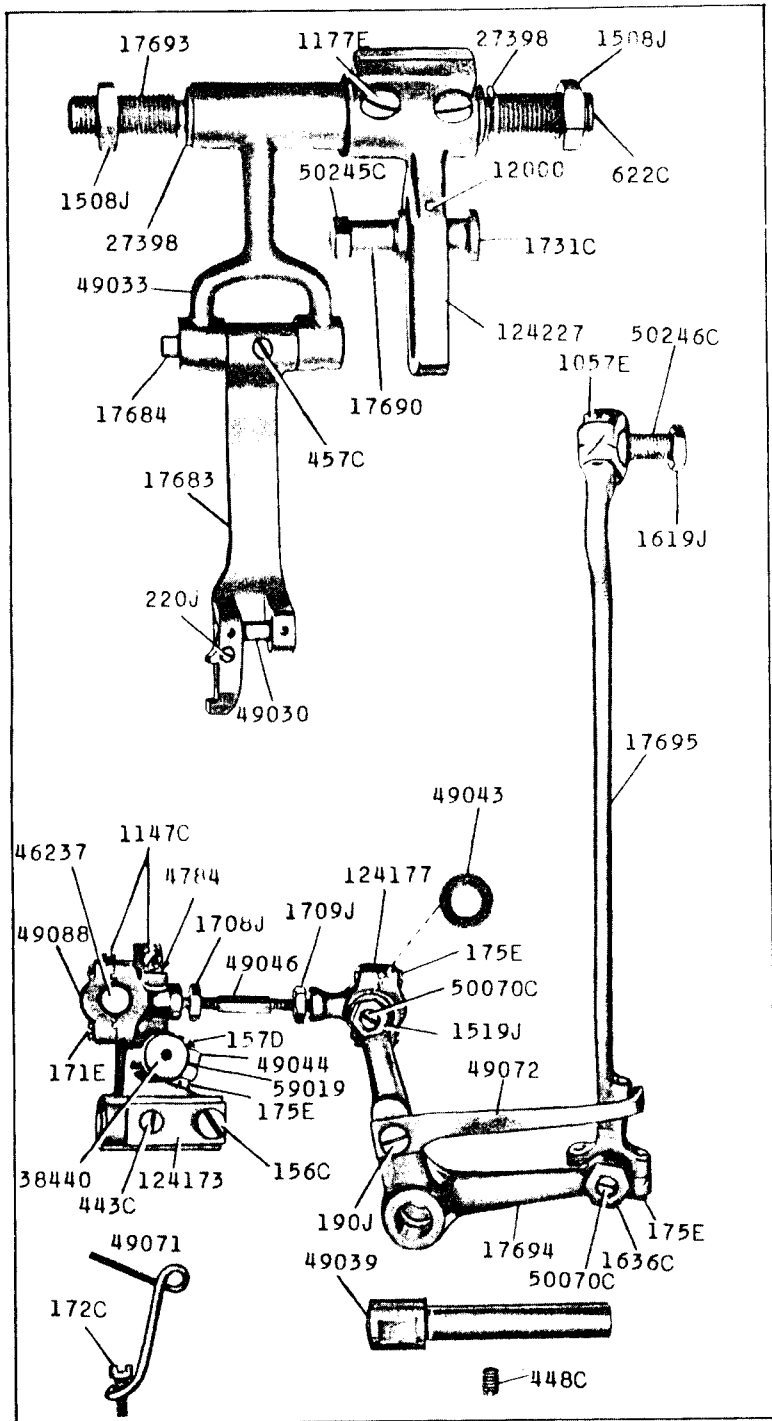
21520 - 1/3



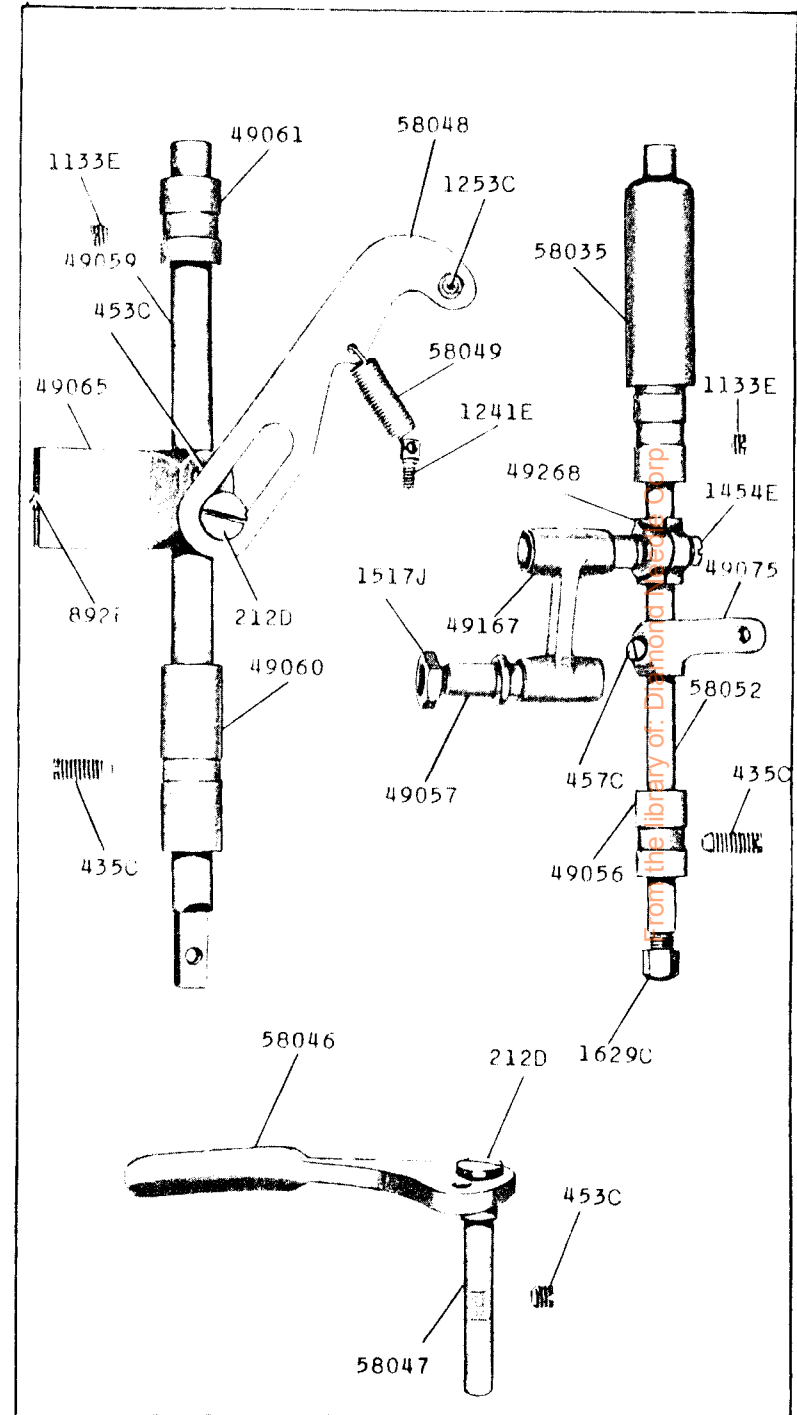
21521 - 1/3

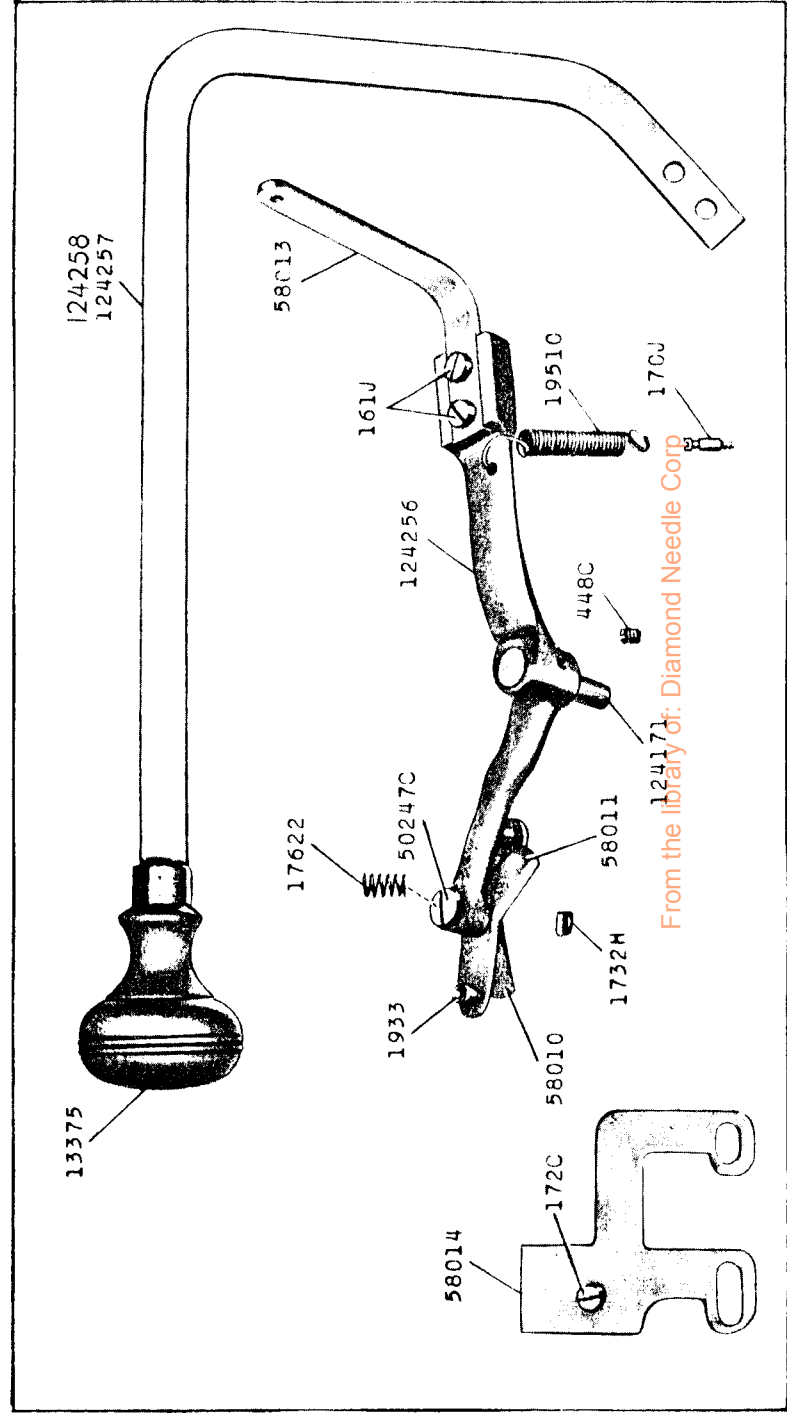
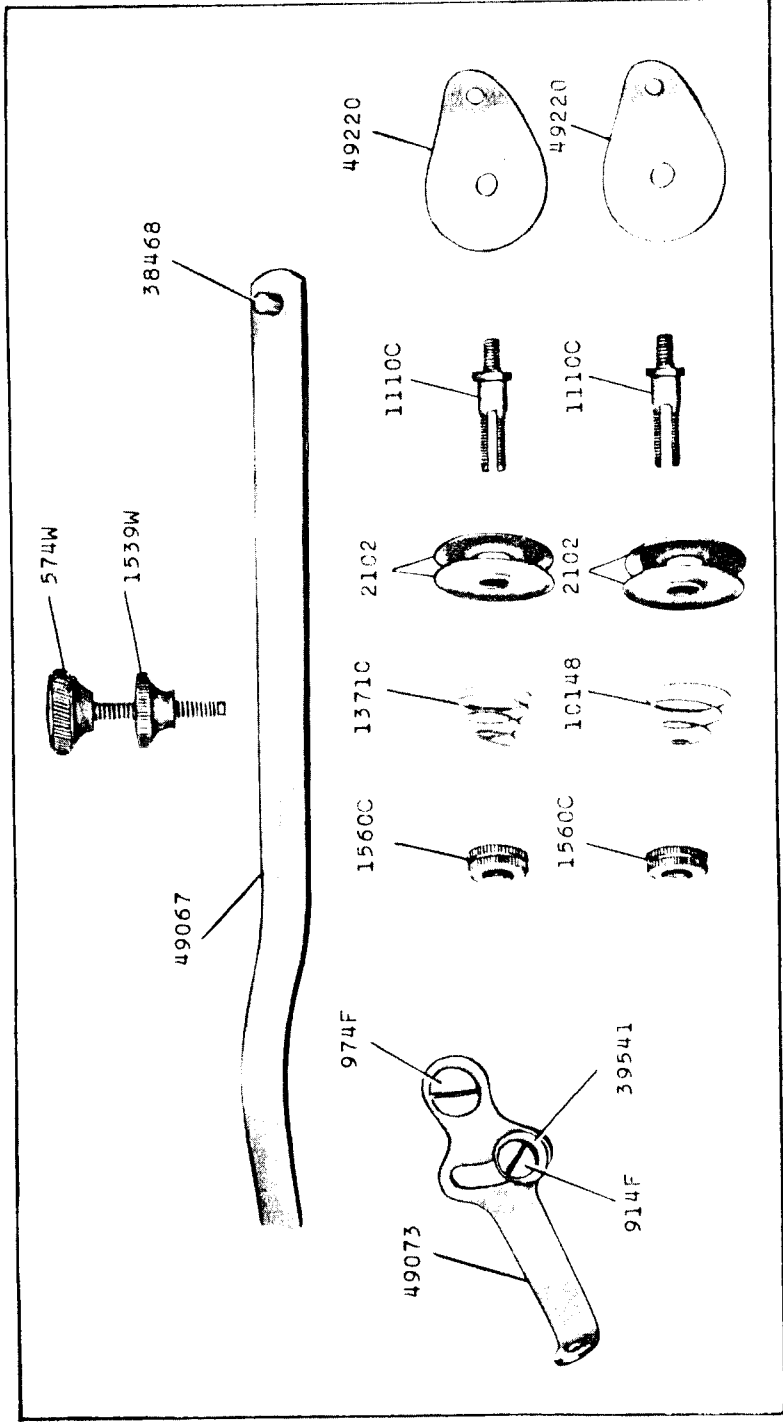


21522 - 1/2

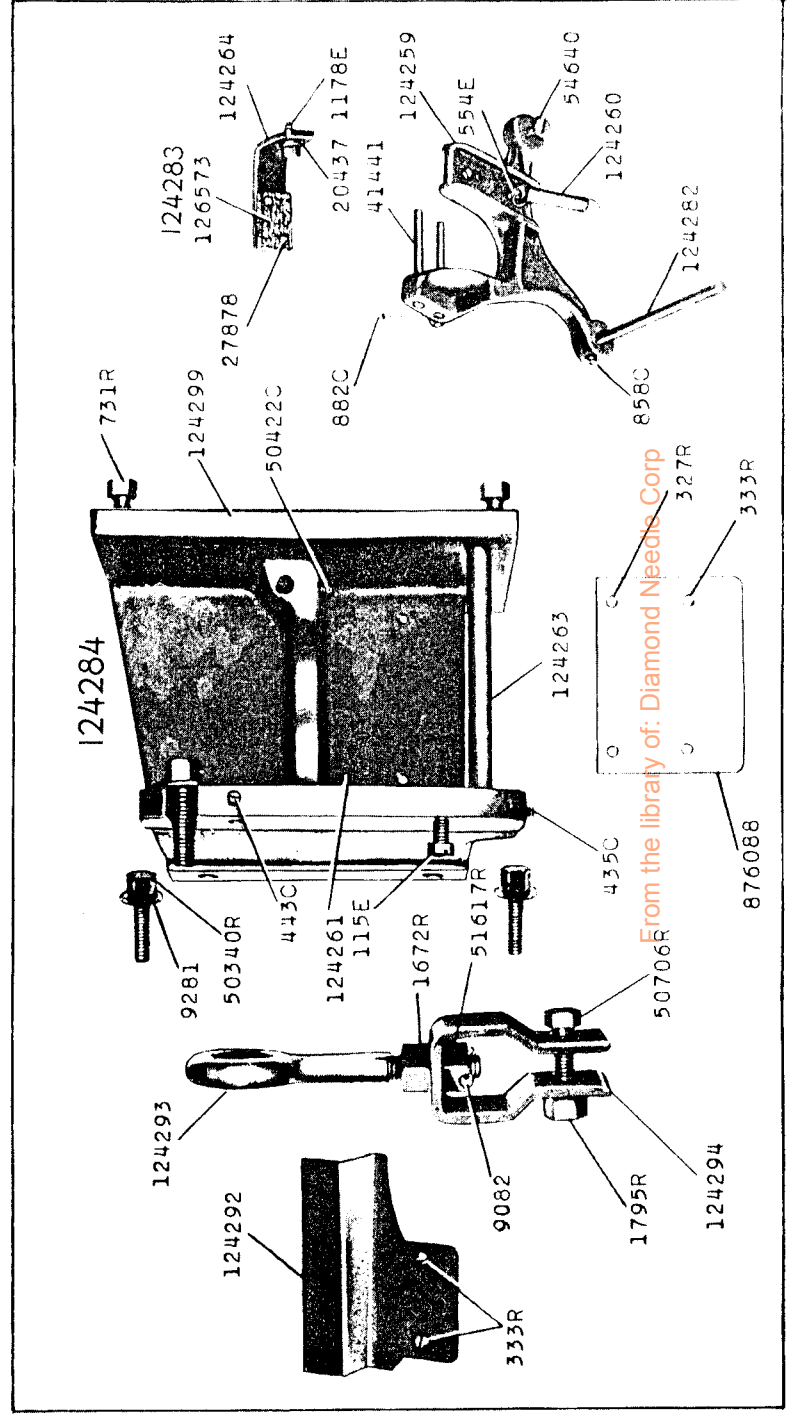
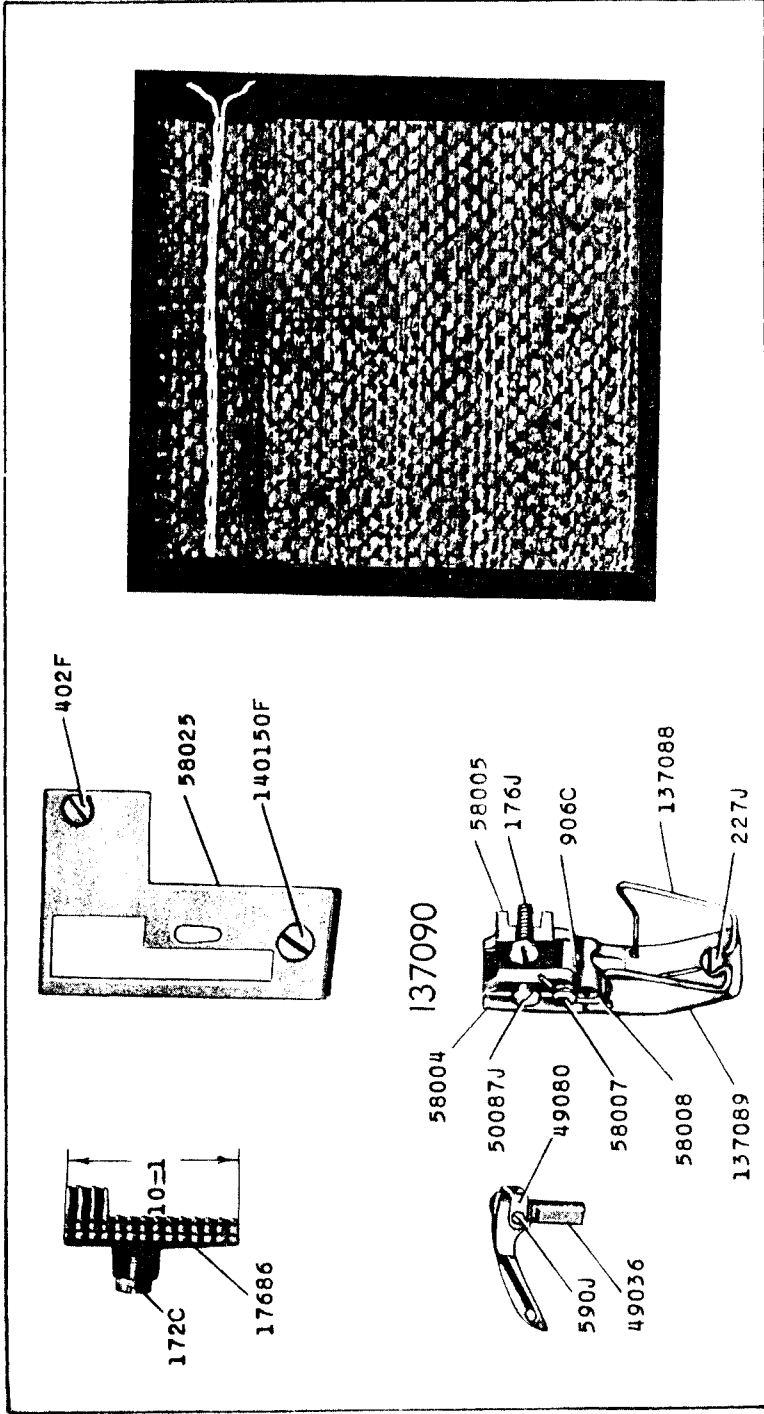


21523 - 2/3





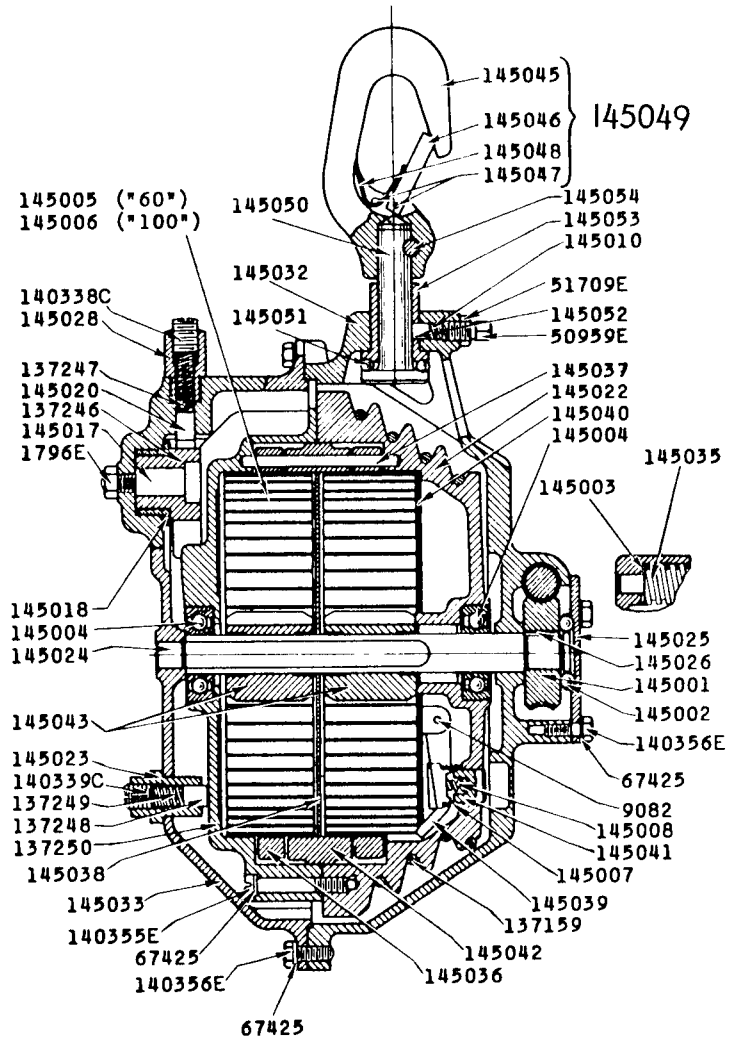
From the library of: Diamond Needle Corp



21530A

FRONT VIEW - CROSS SECTION

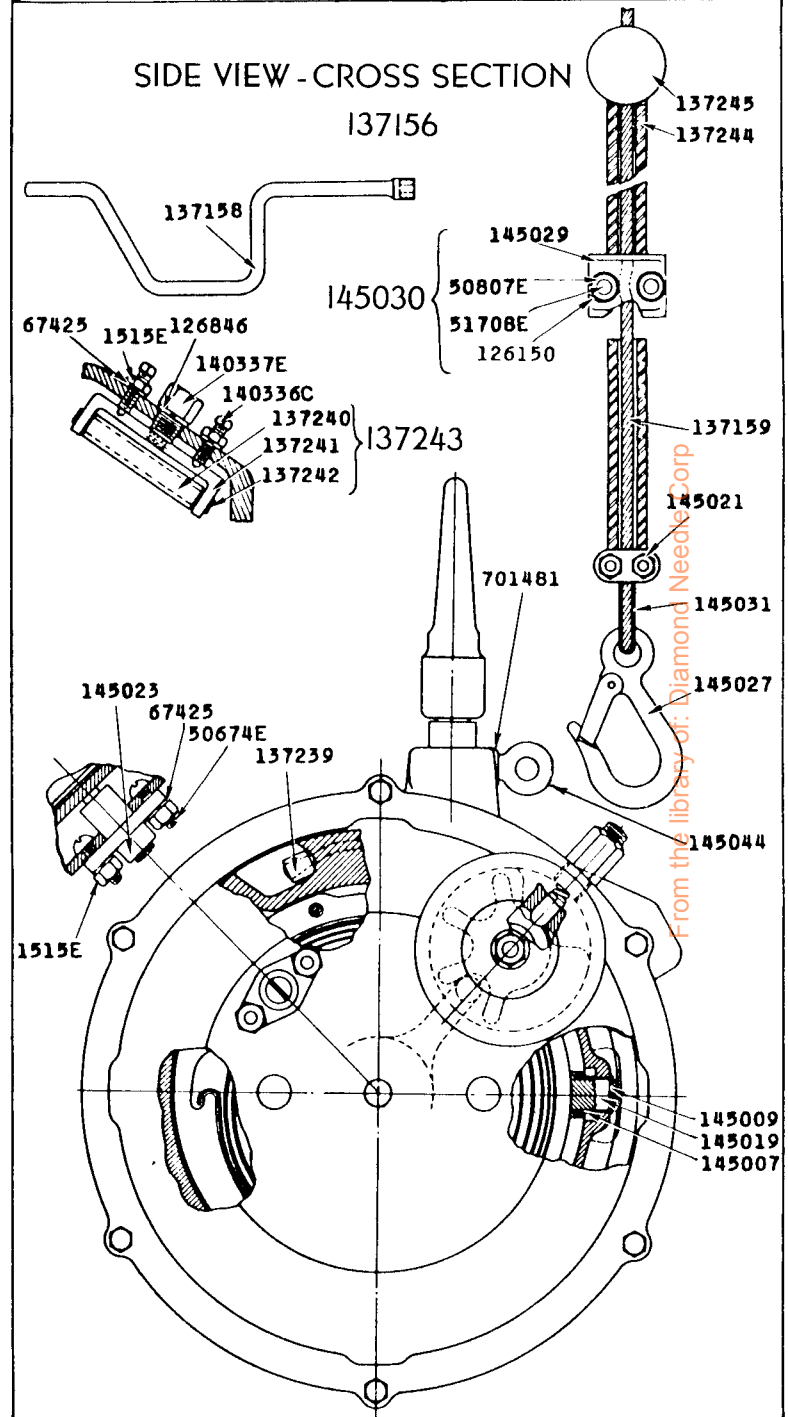
137156



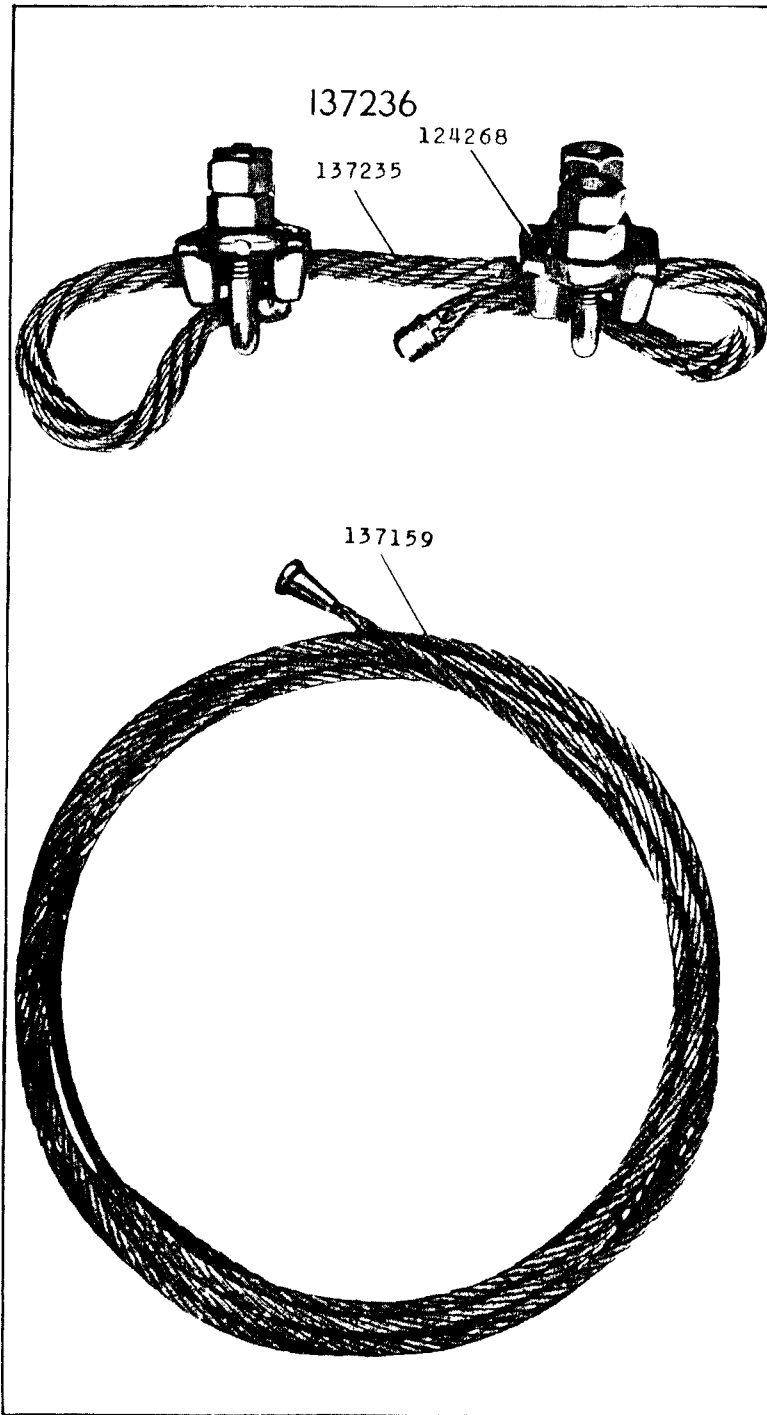
21530B

SIDE VIEW - CROSS SECTION

137156



21531 - 1/2



21532 - 1/3

